

THIS DRAWING IS UNPUBLISHED. RELEASED FOR PUBLICATION AUGUST, 2005.  
 © COPYRIGHT 2005 BY TYCO ELECTRONICS CORPORATION. ALL RIGHTS RESERVED.

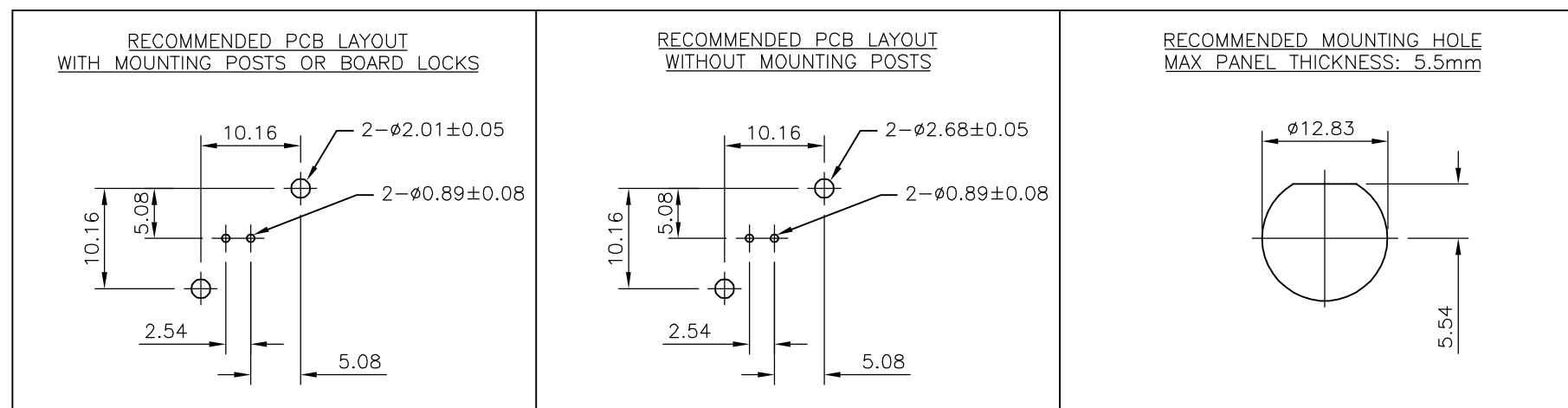
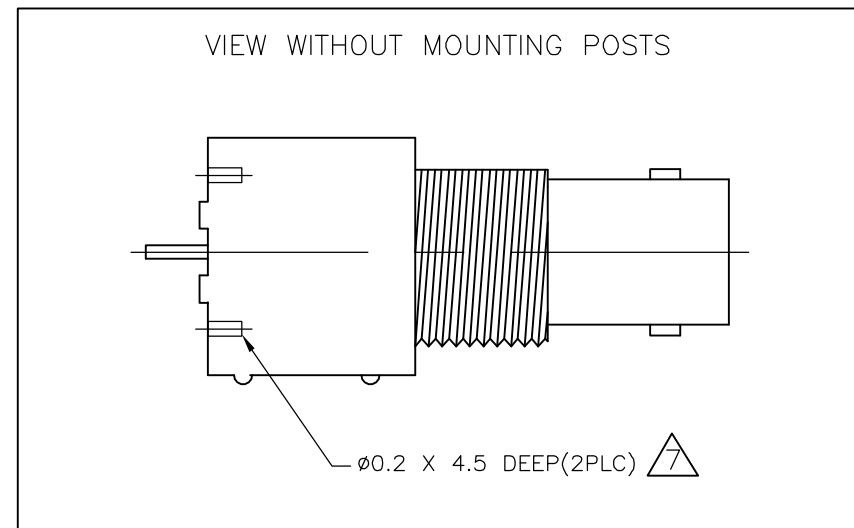
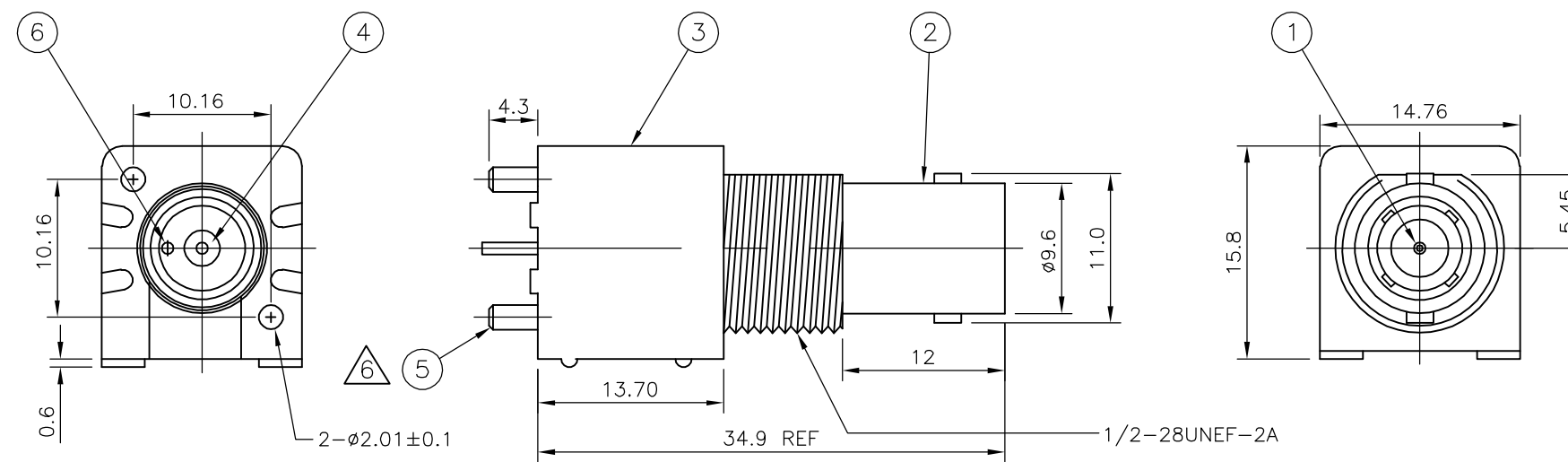
LOC	DIST	REVISIONS					
		P	LTR	DESCRIPTION	DATE	DWN	APVD
E	B	A		FIRST ISSUE	09AUG05	JMS	FWK

NOTES:

- 1. SINGLE PACK IN ACCORDANCE WITH AMP SPEC 107-3275
- 2. 50 TRAY PACK IN ACCORDANCE WITH AMP SPEC 107-3275
- 3. Au PLATING OVER Ni PLATING OVER Cu PLATING
- 4. Ni PLATING OVER Cu PLATING
- 5. TIN PLATING
- 6. MOUNTING POSTS ARE OPTIONAL SEE TABLE FOR PART NUMBERS
- 7. RECOMMENDED SELF-TAPPING SCREW 221108-4
- 8. RECOMMENDED MOUNT NUT 1-1634816-0
- 9. RECOMMENDED LOCKWASHER 1-1634817-0
- 10. CHARACTERISTICS
 

FREQUENCY RANGE:	DC - 4GHz
NOMINAL IMPEDANCE:	50 OHMS
WORKING VOLTAGE:	500V RMS
INSULATION RESISTANCE:	5000 MOHMS
DIELECTRIC WITHSTAND VOLTAGE:	1500V RMS
CONTACT RESISTANCE:	
CENTRE CONTACT:	1.5 mOHMS
OUTER CONTACT:	0.2 mOHMS
- 11. MECHANICAL CHARACTERISTICS
 

DURABILITY:	50 CYCLES
-------------	-----------
- 12. FOR TECHNICAL DATA REFER TO YOUR LOCAL TYCO ELECTRONICS SALES OFFICE
- 13. ALL DIMENSIONS ARE NOMINAL FOR REFERENCE ONLY UNLESS OTHERWISE STATED



QTY	PLC	QTY	PLC	QTY	PLC	QTY	PLC	MATERIAL	DESCRIPTION	ITEM
1	1	1	1	1	1	1	1	BRASS	SOLDER TAIL	6
-	-	-	-	2	2	2	2	BRASS	MOUNTING POST	5
1	1	1	1	1	1	1	1	PE-606	INSULATOR	4
1	1	1	1	1	1	1	1	PBT BLACK	HOUSING	3
1	1	1	1	1	1	1	1	ZINC ALLOY	BODY	2
1	1	1	1	1	1	1	1	BRASS	CONTACT	1
6--1	1--1	6--0	1--0					MATERIAL	DESCRIPTION	ITEM

THIS DRAWING IS A CONTROLLED DOCUMENT.		DWN	J.SANDWELL	09AUG05	 Tyco Electronics Corporation Bideford, UK, EX39 4HE														
DIMENSIONS: mm		CHK	S.PARLOW	09AUG05															
TOLERANCES UNLESS OTHERWISE SPECIFIED		APVD	F.WHEELER-KING	09AUG05															
<table border="0"> <tr><td>0 PLC</td><td>±</td></tr> <tr><td>1 PLC</td><td>±</td></tr> <tr><td>2 PLC</td><td>±</td></tr> <tr><td>3 PLC</td><td>±</td></tr> <tr><td>4 PLC</td><td>±</td></tr> <tr><td>ANGLES</td><td>±</td></tr> <tr><td>FINISH</td><td>±</td></tr> </table>		0 PLC	±	1 PLC		±	2 PLC	±	3 PLC	±	4 PLC	±	ANGLES	±	FINISH	±	PRODUCT SPEC	108-3435	NAME
0 PLC	±																		
1 PLC	±																		
2 PLC	±																		
3 PLC	±																		
4 PLC	±																		
ANGLES	±																		
FINISH	±																		
MATERIAL	SEE TABLE	APPLICATION SPEC	N/A	SIZE	A2														
WEIGHT		-		CAGE CODE	00779														
CUSTOMER DRAWING		DRAWING NO		C=1634505															
SCALE		NTS		SHEET	1 OF 1														
REV		A																	

1634505